

Mesabi® Radiator

Application Form Page 1 of 3

Customer _____

Address line 1 _____

Address line 2 _____

City _____ State/Prov _____

Country _____ ZIP or Postal Code _____

Contact _____

Phone _____ Fax _____

Email _____ Date (mm/dd/yy) _____

Equipment

Equipment Make _____

Equipment Model _____

Serial No. _____

Engine

Engine Make _____

Engine Model _____

_____ hp @ _____ rpm

Transmission (if applicable)

Transmission Make _____

Watercooled or Aircooled

Transmission Model _____

Fan

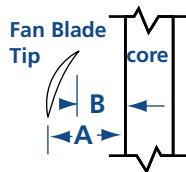
Please supply the Fan Make and Part Number _____

If not available, please supply the following:

Fan diameter _____ Number of blades _____

Pitch Width (PW=A-B) _____

Blower or Suction



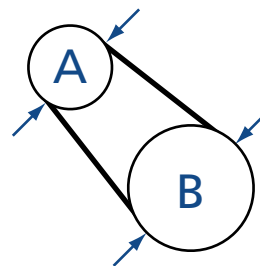
Fan Drive Ratio

Please supply the Fan Drive Ratio _____

If not available, please supply the following measurements:

Fan pulley diameter (A) _____

Crank pulley diameter (B) _____



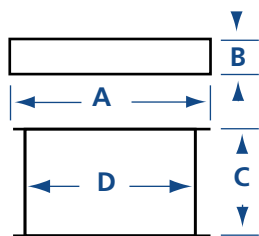
Mesabi® Radiator

Application Form Page 2 of 3

Radiator _____

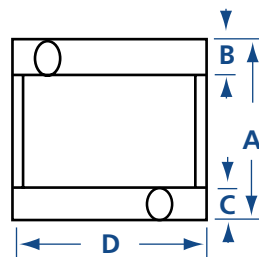
Please supply the OEM Radiator and/or Core Part Number, if available

Core Dimensions



A _____
 B _____
 C _____
 D _____
 E _____

Overall Dimensions

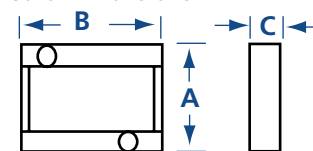


A _____
 B _____
 C _____
 D _____

Other Coolers in the Airstream _____

Please supply the OEM Radiator and/or Core Part Number if available

Core Dimensions



A _____
 B _____
 C _____

Additional Questions _____

Do you have any particular problems?

Corrosion

Clogging

Sandblasting

Other, (describe)

Site Conditions _____

Maximum Elevation

_____ ft.

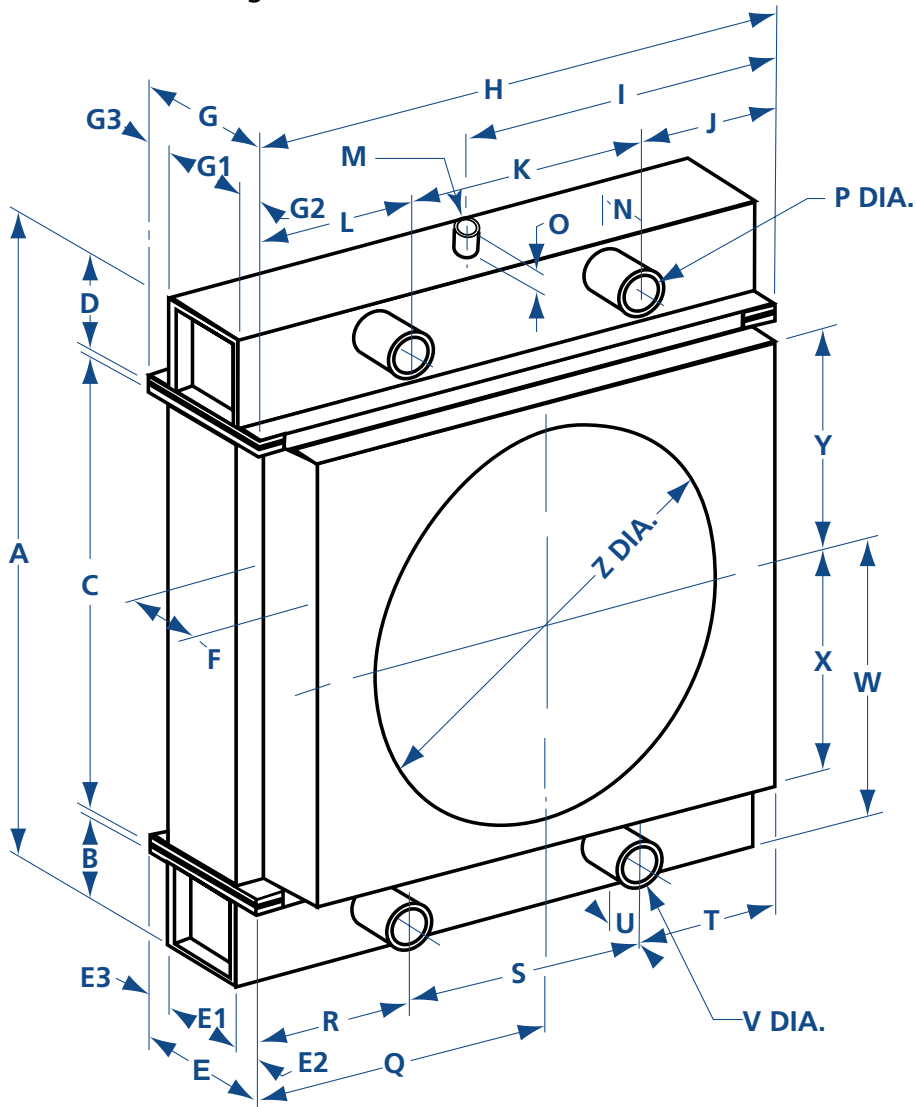
Maximum Outside Temperature

_____ °F



Mesabi® Radiator

Application Form Page 3 of 3



A _____	E3 _____	I _____	P _____	W _____
B _____	F _____	J _____	Q _____	X _____
C _____	G _____	K _____	R _____	Y _____
D _____	G1 _____	L _____	S _____	Z _____
E _____	G2 _____	M _____	T _____	Fill In Dimensions
E1 _____	G3 _____	N _____	U _____	
E2 _____	H _____	O _____	V _____	

Sketch In Mounting Details